

6" HYDRAULIC SUBMERSIBLE SLIM-LINE PUMP

MODEL S6A

6" (150 mm) Discharge

The S6A is a 6" discharge pump specially designed to fit into spaces normally inaccessible with submersible pumps. High output flows and heads make this a versatile performer with no equals. Typical jobs for this pump include mine dewatering, vessel offloading and vault pumping.



FEATURES

- **Small Overall Size Allows Pump To Fit Through 13" Diameter Opening**
- **Hardened Stainless Steel Impeller Resists Wear**
- **Rubber Coated Suction Case Resists Abrasion**
- **Variable Speed Hydraulic Drive**
- **Oil Lubricated Seals (Can Run Dry)**
- **Safe Hydraulic Drive can be used where Electric Power is Hazardous or Impractical**
- **Operates with Our HT50 to HT100 Power Units or Other Hydraulic Power Sources with flows of 25 - 43 GPM**

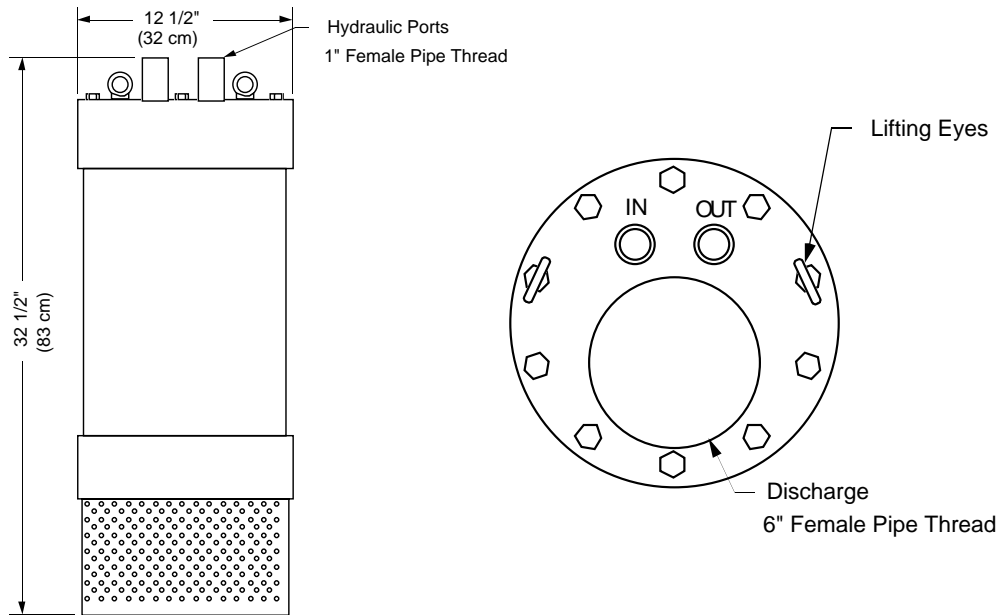
SPECIFICATIONS

WEIGHT:.....	210 lbs. (95 kg)
HEIGHT:.....	32 1/2" (83 cm)
DIAMETER (@ widest point):.....	12 1/2" (32 cm)
DISCHARGE:.....	6" NPT(F)
SOLIDS HANDLING:.....	1/4" (7 mm)
HOSE PORTS:.....	1" NPT (F)
PUMP BODY:.....	Anodized Aluminum
IMPELLER:.....	Stainless Steel
SUCTION CASE:	Rubber Lined
SHAFT:.....	17-4 PH Stainless Steel
SHAFT SEAL Upper:.....	Carbon/Ceramic
Lower:	Silicon Carbide
ELASTOMERS:.....	Buna N (Std)
HYDRAULIC OIL:.....	214-320 s.s.u. @ 100°F (64°C)
INPUT FLOW:.....	Max 43 GPM (170 LPM)
OPERATING PRESSURE:....	Max 2500 PSI (170 Bar)
POWER SOURCE:..	Any Open Center Hydraulic System

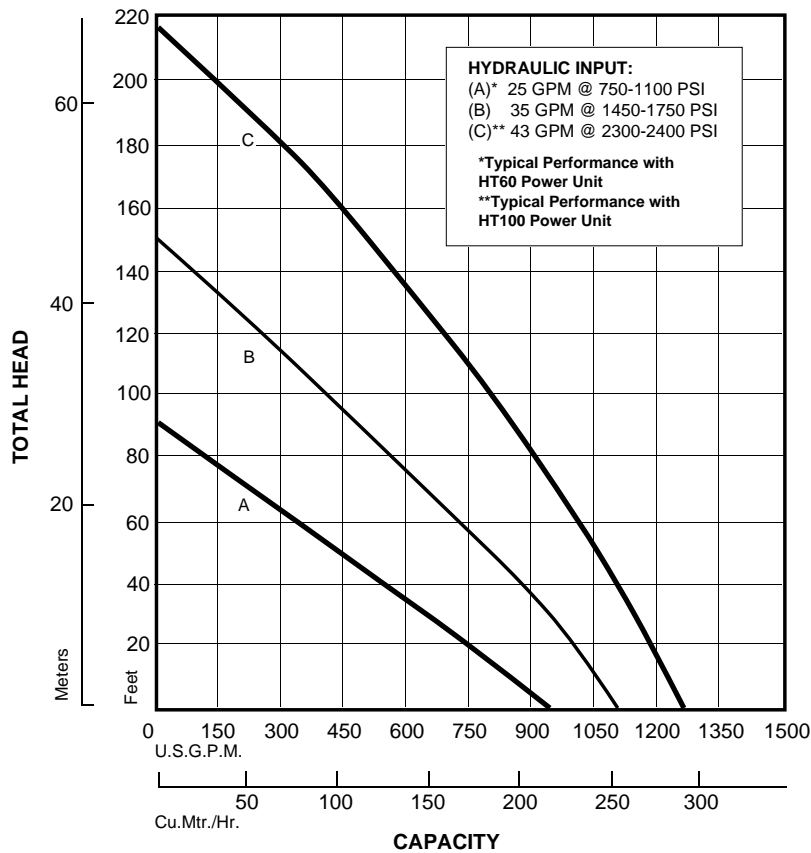
A0800

Specifications subject to change without notice.

Model S6A Overall Dimensions



S6A Typical Performance



Since we are constantly working to improve our products, specifications are subject to change without notice.